

Videojet® 1620

Small Character Ink Jet Printer

Ink Jet.

Laser.

Thermal Transfer.

Labelers.

Track & Trace.

Supplies.

Parts & Service.

Superior uptime in high speed applications for greater productivity. The all-new Videojet 1620 continuous ink jet printer is designed for customers with high speed production lines and around the clock coding, delivering 14,000 hours of production before required preventive maintenance. New vapor recovery feature allows for longer runs without intervention.

Advanced capabilities

- Up to 5 lines of high resolution print with speeds up to 960 fpm (293 mpm)
- Wide range of bar codes, including 2D DataMatrix
- Advanced Clean Flow™ printhead design maximizes uptime
- Advanced connectivity makes integration simpler

Superior environmental protection

- IP65 dust protection (no plant air required)



Low running costs

- Longest run time between maintenance – 14,000 hour core life
- Make-Up consumption as low as 2.4 ml/hour
- Smart Cartridge™ fluid delivery system reduces waste

VIDEOJET
Uptime Peace of Mind®



Line Speed Capability

Can print 1 to 5 lines of print at speeds of up to 960 fpm (293 mpm) (10 characters per inch, single line of print)

Font Matrix Configuration

Single-line: 5x5, 4x7, 5x7, 7x9, 9x12, 10x16, 16x24, 25x34
Twin-line: 5x5, 5x7, 7x9, 9x12, 10x16
Tri-line: 5x5, 4x7, 5x7, 7x9
Quad-line: 5x5, 4x7, 5x7
Five-line: 5x5

Linear Bar Codes

UPC A&E; EAN 8 & 13; Code 128 A, B & C; UCC/EAN 128; Code 39; Interleaved 2 of 5; 2D DataMatrix; GS1

DataMatrix Codes

10x10, 12x12, 14x14, 16x16, 8x18, 18x18, 20x20, 22x22, 24x24, 16x26, 26x26, 8x32, 32x32, 34x34, 12x36, 16x36, 16x48

Nominal Character Height

Selectable from 0.079" (2 mm) to 0.40" (10 mm), depending on font

Throw Distance

Optimal: 0.472" (12 mm)
Range: 0.197" (5 mm) to 0.591" (15 mm)

Keyboard

Membrane style with tactile feedback, including 72 numeric, alphabetic, and special function keys. PC-style layout to approximate international PC convention.

Display

320x240 Bright blue backlit 5.7" LCD display.
WYSIWYG onscreen message editing

Custom Logo/Graphics

Can be created by individual user on printer or PC with optional Videojet Logo Creator software

Character Sets

Chinese, Russian/Bulgarian, Turkish/Scandinavian, Greek, Arabic, Japanese/Kanji, Hebrew, Korean, East European and European/American

Languages and Interface Options

English, Arabic, Bulgarian, Czech, Danish, Dutch, Finnish, French, German, Greek, Hebrew, Hungarian, Italian, Japanese, Korean, Norwegian, Polish, Portuguese, Russian, Simple Chinese, Spanish, Swedish, Thai, Traditional Chinese, Turkish and Vietnamese

Data Interface

RS232, RS485 and ethernet (standard)
Clarisoft/Clarinet® via RS232 and ethernet
Message management via USB

Message Storage

250 complex messages

Environmental Protection

IP65 standard, no plant air required; stainless steel cabinet

Printhead

Heated printhead
Positive air (standard)
Diameter: 1.63" (41.3 mm)
Length: 10.62" (269.8 mm)

Printhead Umbilical

Ultra flexible
Length: 9.84' (3 m) optional 19.69' (6 m)
Diameter: 0.91" (23 mm)
Bend radius: 3.00" (76.2 mm)

Make-Up Fluid Consumption

As low as 2.4 ml/hour

Fluids Containers

Ink Smart Cartridge™ 0.793 qt. (750 ml)
Make-Up Smart Cartridge 0.793 qt. (750 ml)

Temperature/Humidity Range

32°F to 122°F (0°C to 50°C)
0% to 90% RH non-condensing
With selected inks; actual installation may require additional hardware based on production environment conditions

Electrical Requirements

Nominal supply power 100-120 / 200-240 VAC at 50/60 Hz., 120 W

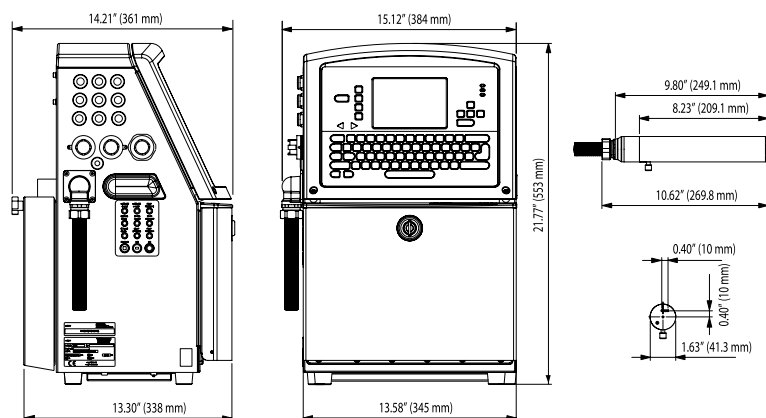
Approximate Weight

Unpacked and dry: 46.2 lbs. (21 kg)

Options

Dry air kit for high humidity (requires plant air)
Expanded I/O for remote message select and remote printer shut-off
60 or 70 micron nozzle
Food grade version
90 degree printhead
Wide range of accessories

Dimensions



800-843-3610

www.videojet.com / info@videojet.com

Videojet Technologies Inc. / 1500 Mittel Blvd.

Wood Dale IL 60191-1073 / USA

Phone 630-860-7300 Fax 800-582-1343

